



AVH364

Push Video / Push Status
Huge Storage Capability
64CH Video Recording

64CH NVR

Features

Push Video & Push Status - Active Event Notification with EagleEyes App

- **Push Video** to send instant notifications for an alarm event to iOS and Android mobile devices (when used with ETS IP camera series).
- **Push Status** to send instant notifications for system events, such as video loss or HDD data removal.



Multi-platform Remote Access

- Fully compatible with iOS and android mobile OS, and Internet Explorer on Windows operating system
- AVTECH free CMS program on both Windows and MAC OS

Huge Storage Capability

- Supports up to 10 4TB hard disks for video storage
- Mini SAS interface built-in to connect AVTECH 10-bay disk array for more storage capacity

HD Video Recording

- HD real-time recording brings users clear images while video recording and playback
- 1920*1080 Full HD video output service, giving the best image quality on LCD / LED monitors



RS485 Communication

Capable of external device connection to extend the functionality and flexibility of your NVR

Smart Recording

High video resolution switch for events to optimize the recording efficiency of the hard disk



Specifications*

Hardware		
Video Input	One LAN port (up to 64 IP cameras)	
Video Output	HDMI	
Video Output Resolution	1920 x 1080	
HDD Storage**	Ten 4TB HDDs	
Mini SAS Port	YES	
RS-485 Port	YES	
USB Ports	Two on the front panel: one for video backup to USB flash drive, and another for NVR control via a USB mouse	
Alarm Out	YES	
IR Remote Control	YES	
Ethernet	LAN port	1000Mbps
	Internet port	1000Mbps
Software		
Video Compression Format	H.264	
Audio Compression Format	G711	
Local / Remote Display Mode	64CH	
Local / Remote Playback Mode	16CH	
Local Single Channel Playback	YES	
Recording Mode	Manual / Event / Alarm / Schedule	
Recording Throughput	Up to 1080 IPS @ 1280 x 720, Up to 192Mbps Up to 480 IPS @ 1920 x 1080, Up to 192Mbps	
Pre-alarm Recording	YES	
Quick Search	Time / Event	
Event Notification	Push Video (16CH) / Push Status / Video Mail / Message Mail	
Security	4 user access levels with password	
Remote Access	(1) Internet Explorer on Windows operating system (2) Video Viewer on Windows and Mac operating system (3) EagleEyes on iOS & Android mobile devices	
Max. Online User	18	
CMS "Trident" Support	YES (E-Map / Health Check / Event Monitor Only)	

Specifications*

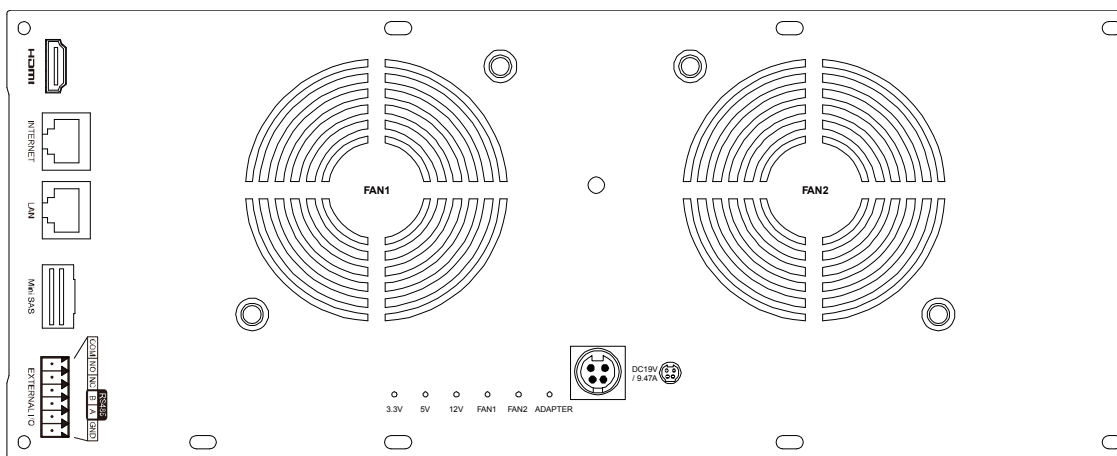
General	
Power Source (±10%)	DC19V / 9.47A
Power Consumption (±10%)	55.1W (without a hard disk and camera connected)
Power Redundancy	YES
Operating Temperature	10°C ~ 40°C (50°F~104°F)
Dimensions (mm)***	325.5 (L) x 281.17 (W) x 138.1 (H)
Minimum PC Browsing Requirements	<ul style="list-style-type: none"> • Intel core i3 or higher, or equivalent AMD • 2GB RAM • AGP graphics card, Direct Draw, 32MB RAM • Windows 7, Vista & XP, DirectX 9.0 or later • Internet Explorer 7.x or later
Peripherals	HDMI Matrix / Rack Mount

*The specifications are subject to change without notice

** HDDs are optional.

*** Dimensional tolerance: ±5mm

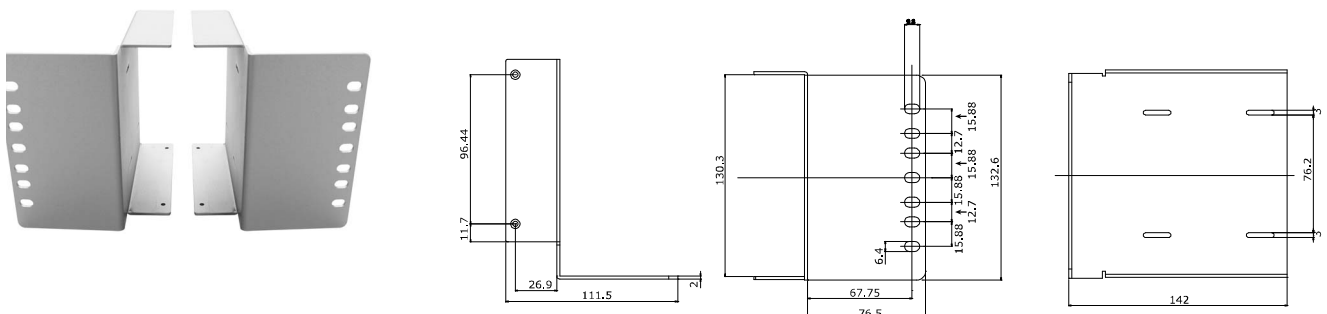
Rear Panel



Optional Rack Mount

■ AVH516PLUS-RBKT

Used for this NVR to mount to a rack.



Dimensional tolerance: ± 5mm